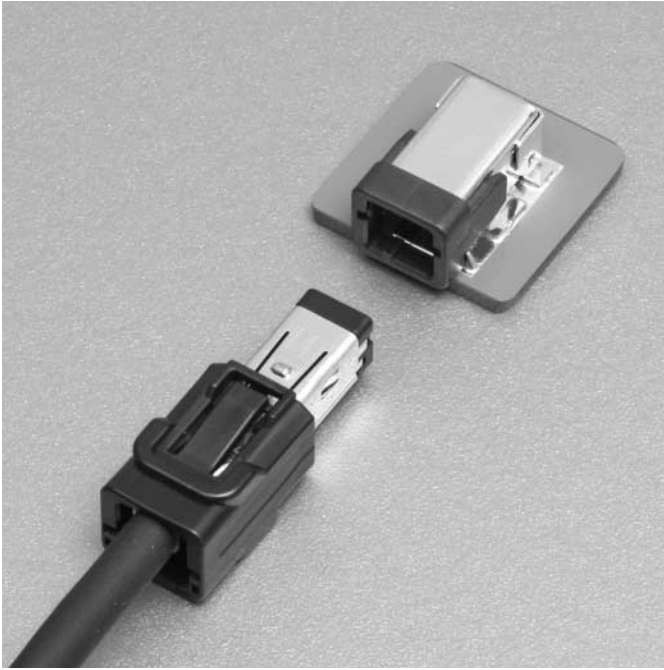


ASU CONNECTOR

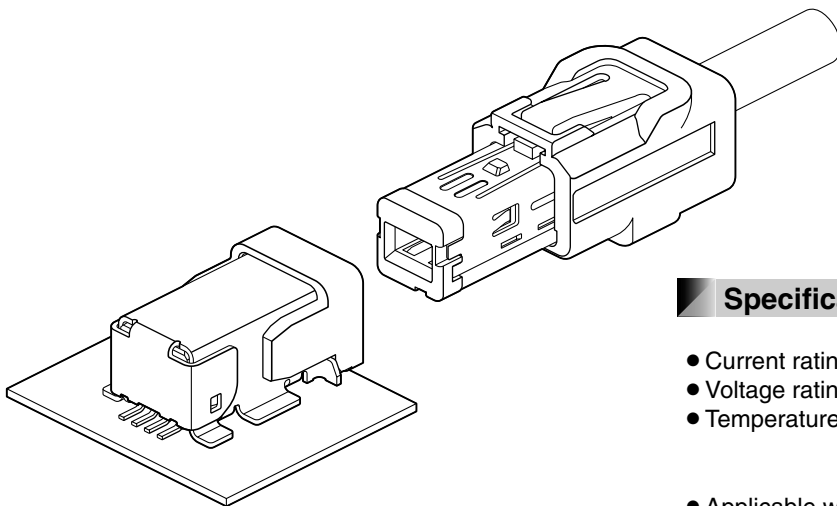
Board-to-wire/High speed transmission



High Speed Differential Transmission

This connector is for high speed transmission which is suitable for automotive equipment such as ETC/DSRC, navigation system.

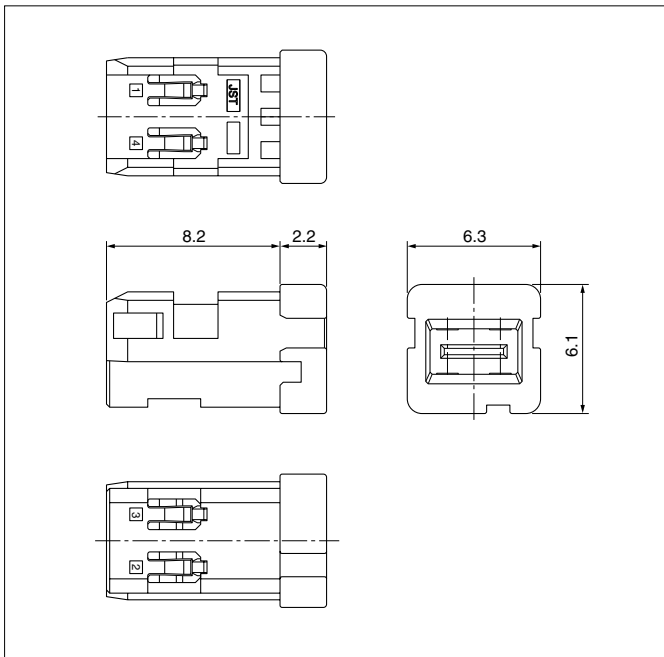
Applicable for surface mounting technology.



Specifications

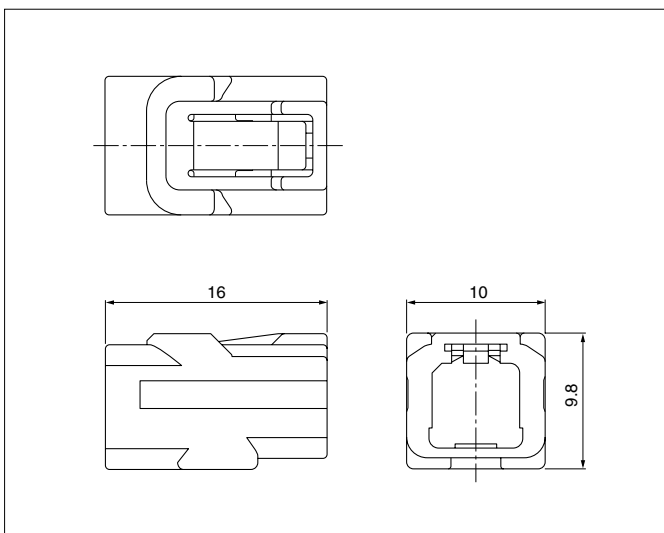
- Current rating: 1 A AC, DC (AWG #28)
 - Voltage rating: 30 V AC, DC
 - Temperature range: -40°C to +105°C
(including temperature rise in applying electrical current)
 - Applicable wire: Inner conductor / AWG #28 to AWG #26
Sheath / ϕ 4 mm
* Contact JST for detail about applicable wire.
 - Differential impedance: 90 $\Omega \pm 20$
(Transmission characteristic conforms to USB2.0 (480 Mbps))
 - Circuits: 4-circuit
 - Keying features: 4 kinds of keying features
* Only one kind of keying features is under mass production.
 - PC board mounting direction: Side entry (SMT)
- * Compliant with ELV/RoHS.
* Contact JST for details.

Inner housing of cable side



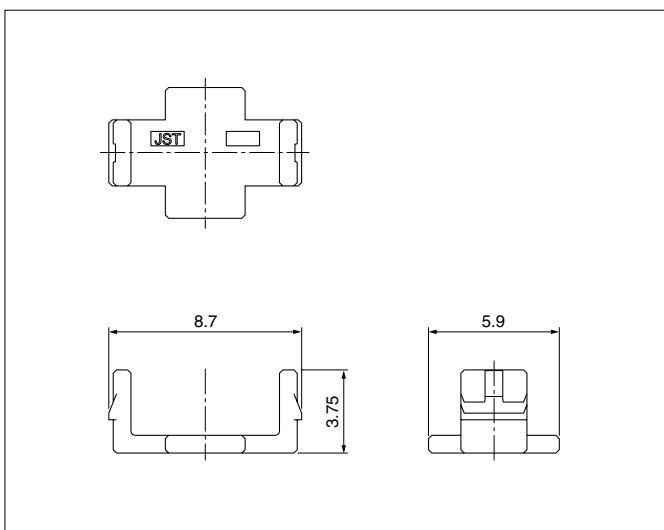
Circuits	Model No.	Q'ty/box	Housing Color
4	ASU-PHN4-K	500	Black
Material and Finish			
Thermoplastic resin			

Outer housing of cable side



Model No.	Q'ty/box	Housing Color
ASU-PHG4-K	250	Black
Material and Finish		
Thermoplastic resin		

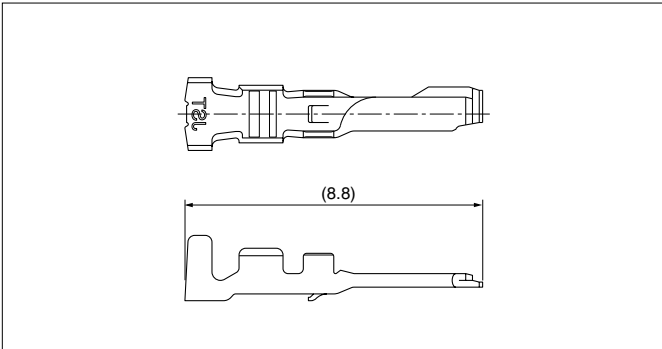
Retainer of cable side



Model No.	Q'ty/box	Housing Color
ASU-PRT-H	2,000	Gray
Material and Finish		
Thermoplastic resin		

ASU CONNECTOR

Female terminal

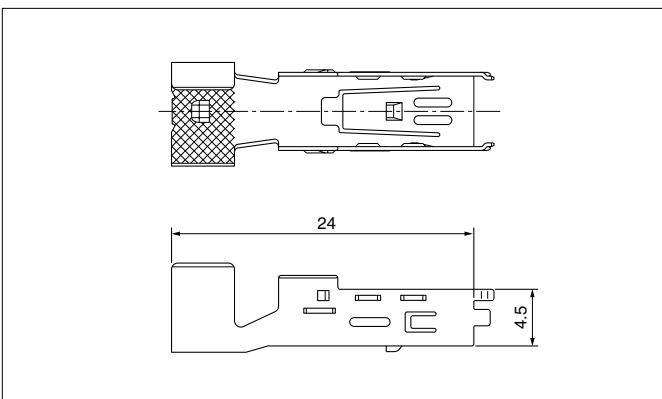


Model No.	Applicable wire range		Q'ty/reel
	Conductor (mm ²)	Insulation O.D. (mm)	
SASU-002GD-P0.15	0.08 to 0.13	0.8 to 1.0	10,000

Material and Finish

Copper alloy, nickel-undercoated, Contact area; gold-plated
Barrel area; tin-plated

Shell of cable side

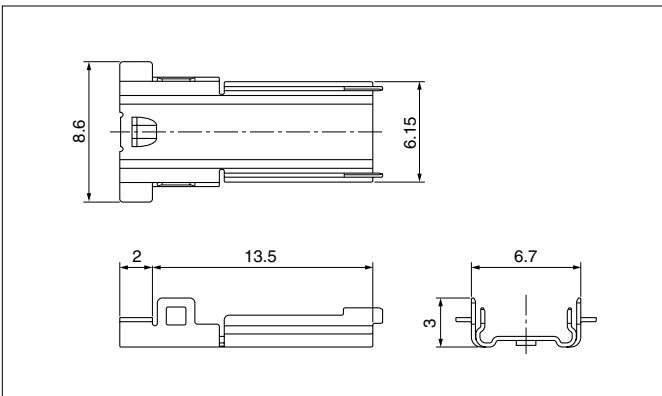


Model No.	Q'ty/reel
ASU-PS4-3RPT-1	1,200

Material and Finish

Copper alloy, tin-plated

Cover shell of cable side

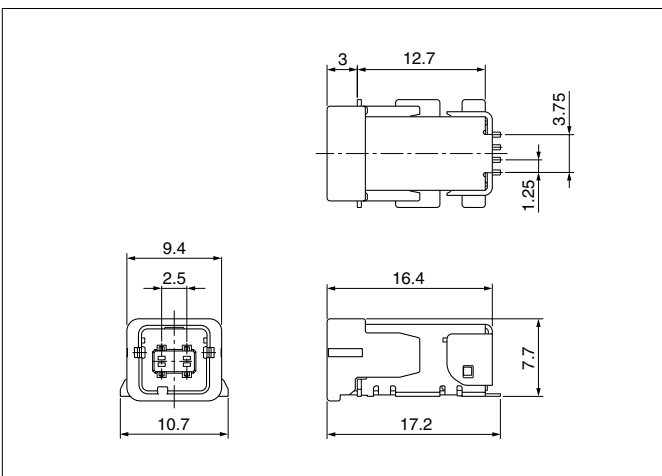


Model No.	Q'ty/reel
ASU-PCS4-3RPT	5,000

Material and Finish

Copper alloy, tin-plated

Male connector



Circuits	Model No.	Q'ty/reel
4	ASU-4RASM-12T1-K1-TR	500

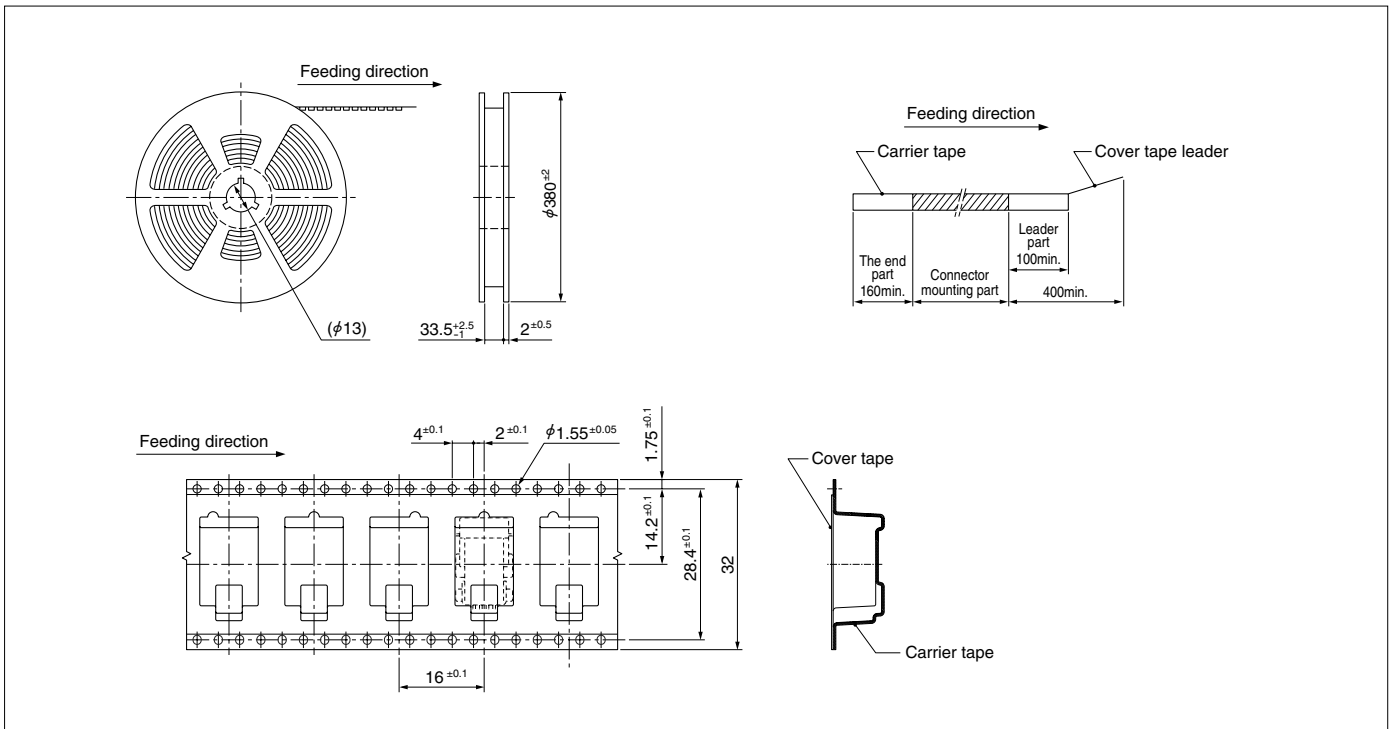
Material and Finish

Inner housing: Heat resisting resin, Black
Outer housing: Heat resisting resin, Black
Contact: Copper alloy, nickel-undercoated, Contact are; gold-plated
Solder tail; tin-plated

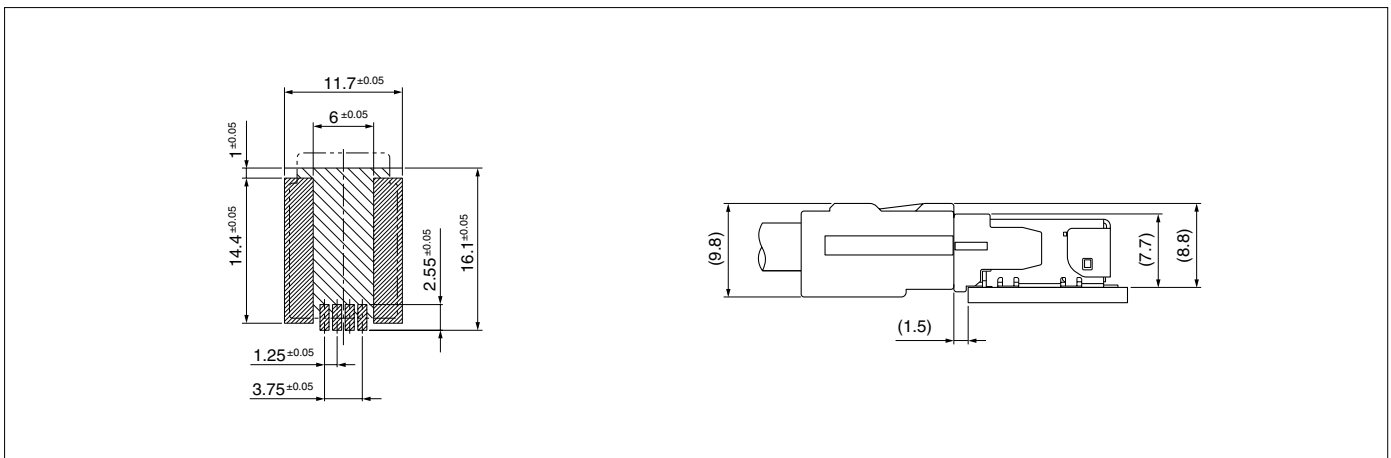
Shell: Copper alloy, copper-undercoated, tin-plated

Note: This product displays (LF)(SN) on a label.

Taping Specification



PC board layout, Assembly layout



Note: 1. Tolerances are non-cumulative: ± 0.05 mm for all centers.
2. The dimensions above should serve as guideline. Contact JST for details.

Crimping machine, Applicator

Strip terminal	Crimping machine	Crimp applicator MKS-L	
		Dies	Crimp applicator with dies
SASU-002GD-P0.15	AP-K2N	MK/SASU-002-015	APLMK SASU-002-015

Note: When crimping operation is conducted using an applicator and die set other than the above, JST cannot guarantee the performance of the terminal.

Jig

Jig	Hand crimp tool
Contact insertion jig	IT-CN-ASU
Shell insertion jig	H3-SIT-ASU
Shell crimping jig	H2-CP-ASU
Cover shell insertion jig	H3-CVIT-ASU
Retainer insertion jig	IT-RET-ASU
Hand press	HPD-M2A

Note: Contact JST for details.